

7.5..5mm WTB (TJC2) Series Connector:



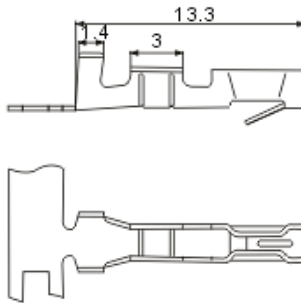
SPECIFICATIONS

Pitch: 7.5-5.0-5.0...5.0 mm
 Useable Wire Range: AWG 26# ~ 20#
 Current Rating: 5A, AC, DC
 Voltage Rating: 250V, AC, DC
 Operating Temperature: -25°C ~ +85°C
 Relative Humidity: 93%, +40°C
 Dielectric Withstanding: 1500V AC/minute
 Contact Resistance: ≤ 10 mΩ/Contact
 Insulator Resistance: ≥ 1000 MΩ at 100V

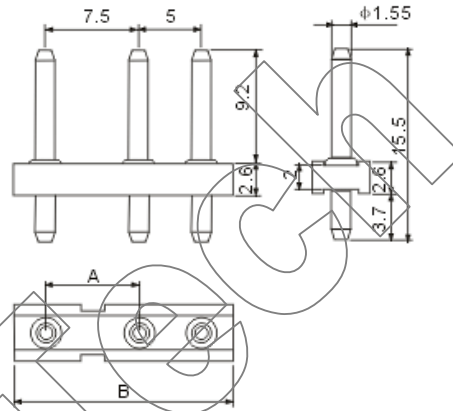
Material:
 Base: Nylon66/ Nylon6T, UL94V-0
 Contact Pin: Brass
 Housing: Nylon66, UL94V-0
 Terminal: Phosphor Bronze

ROHS Compliance

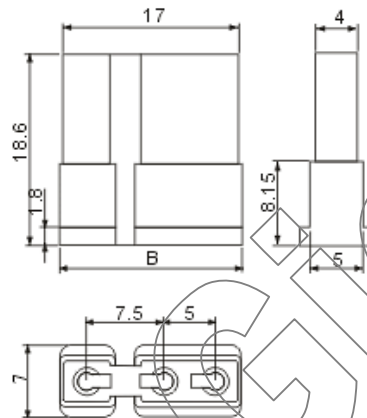
TJC2-T



TJC2-XA



TJC2-XY



| Circuit | Part No. | | Dimensions (mm) | |
|---------|----------|---------|-----------------|-------|
| | | | A | B |
| 2 | TJC2-2Y | TJC2-2A | 7.50 | 12.50 |
| 3 | TJC2-3Y | TJC2-3A | 12.50 | 17.50 |
| 4 | TJC2-4Y | TJC2-4A | 17.50 | 22.50 |
| 5 | TJC2-5Y | TJC2-5A | 22.50 | 27.50 |
| 6 | TJC2-6Y | TJC2-6A | 27.50 | 32.50 |